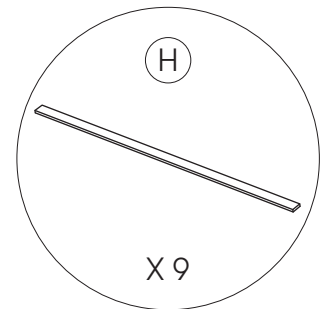
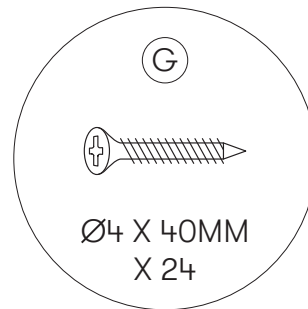
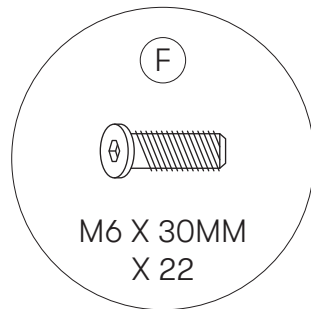
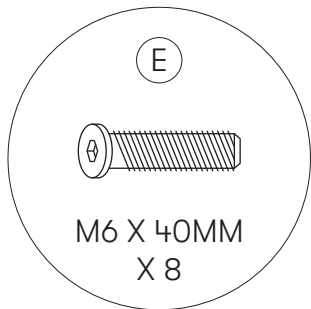
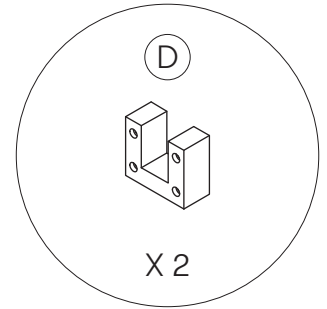
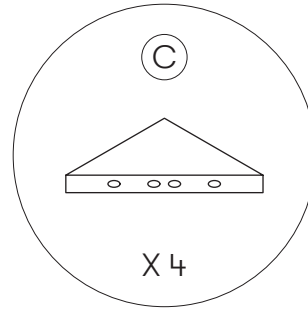
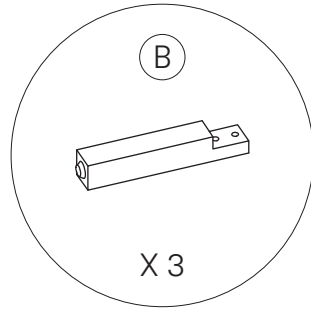
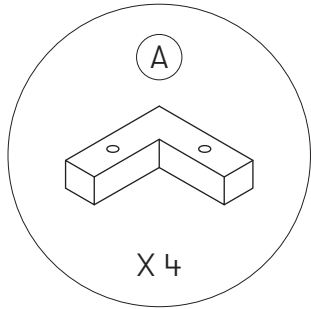
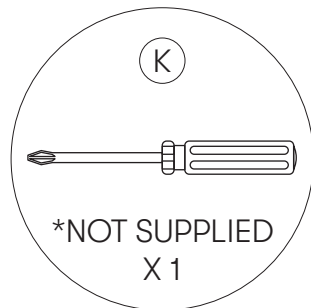
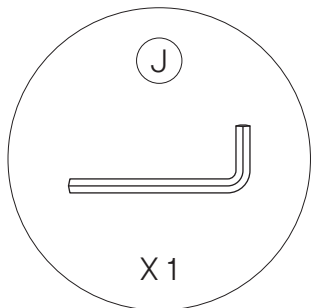


# DISCO BED BASE ASSEMBLY INSTRUCTIONS

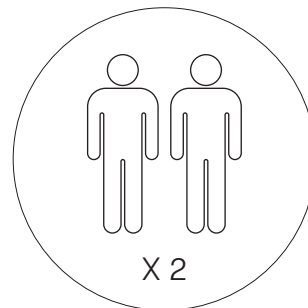
## HARDWARE COMPONENTS

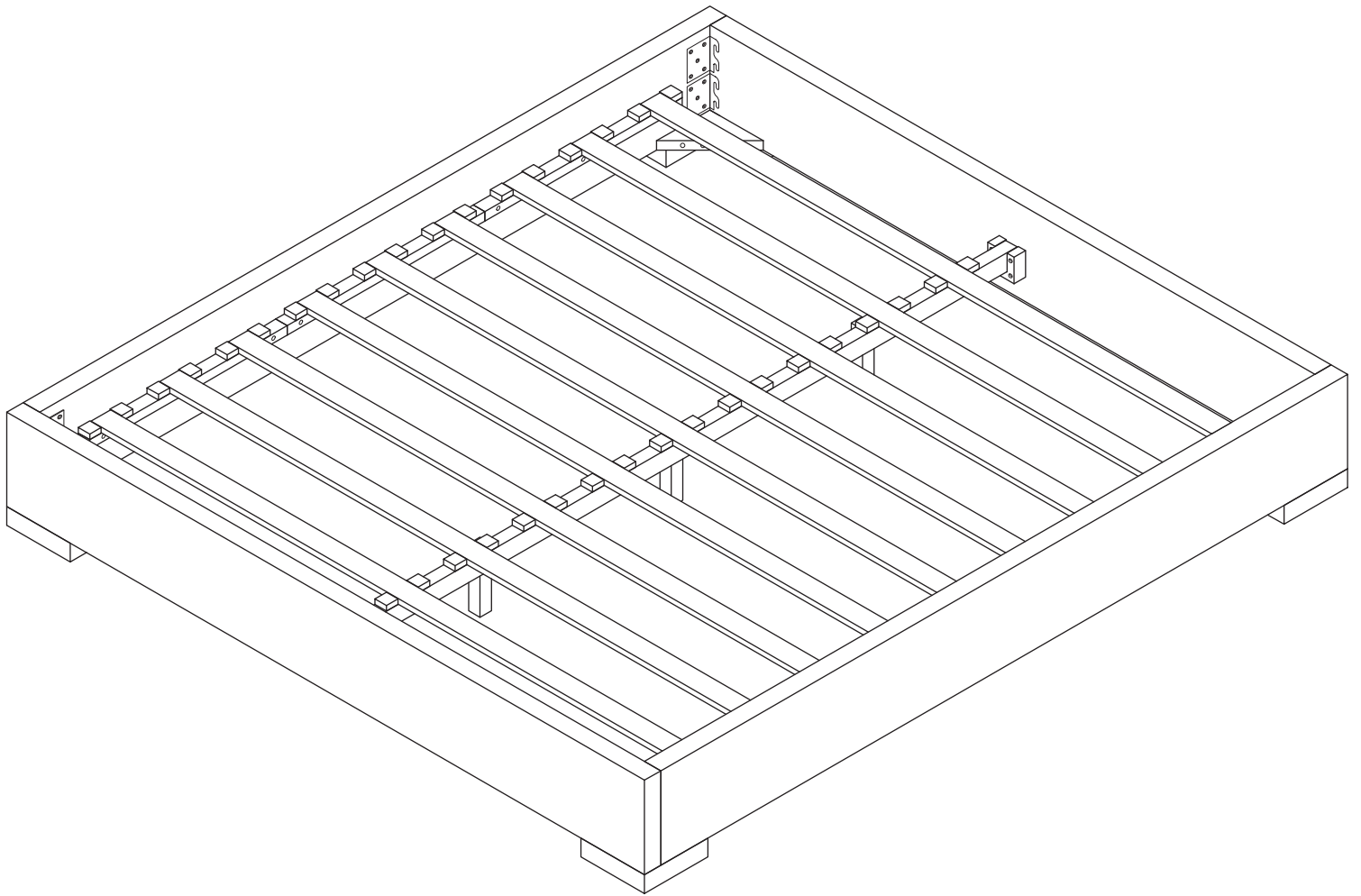


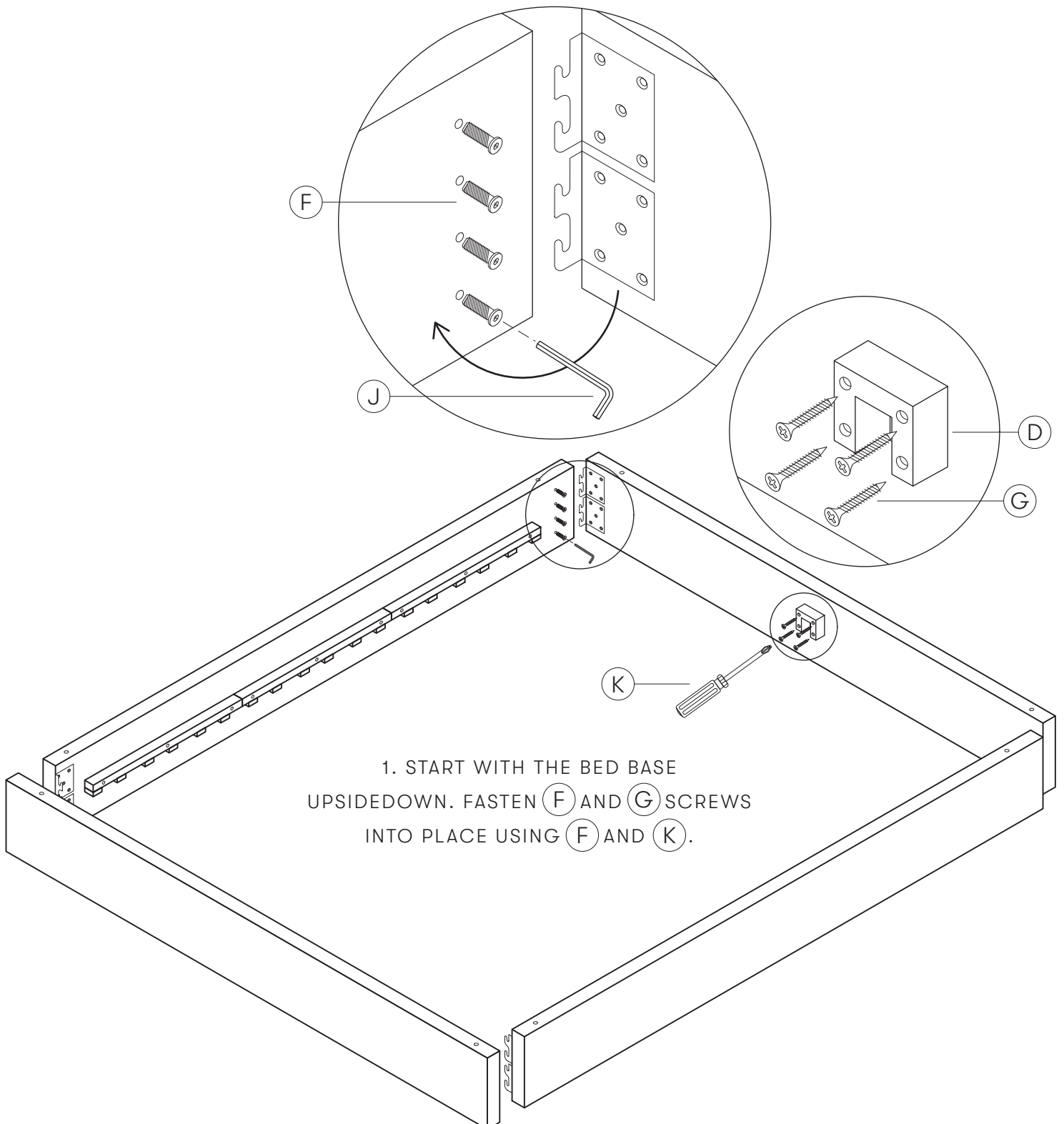
## TOOLS REQUIRED



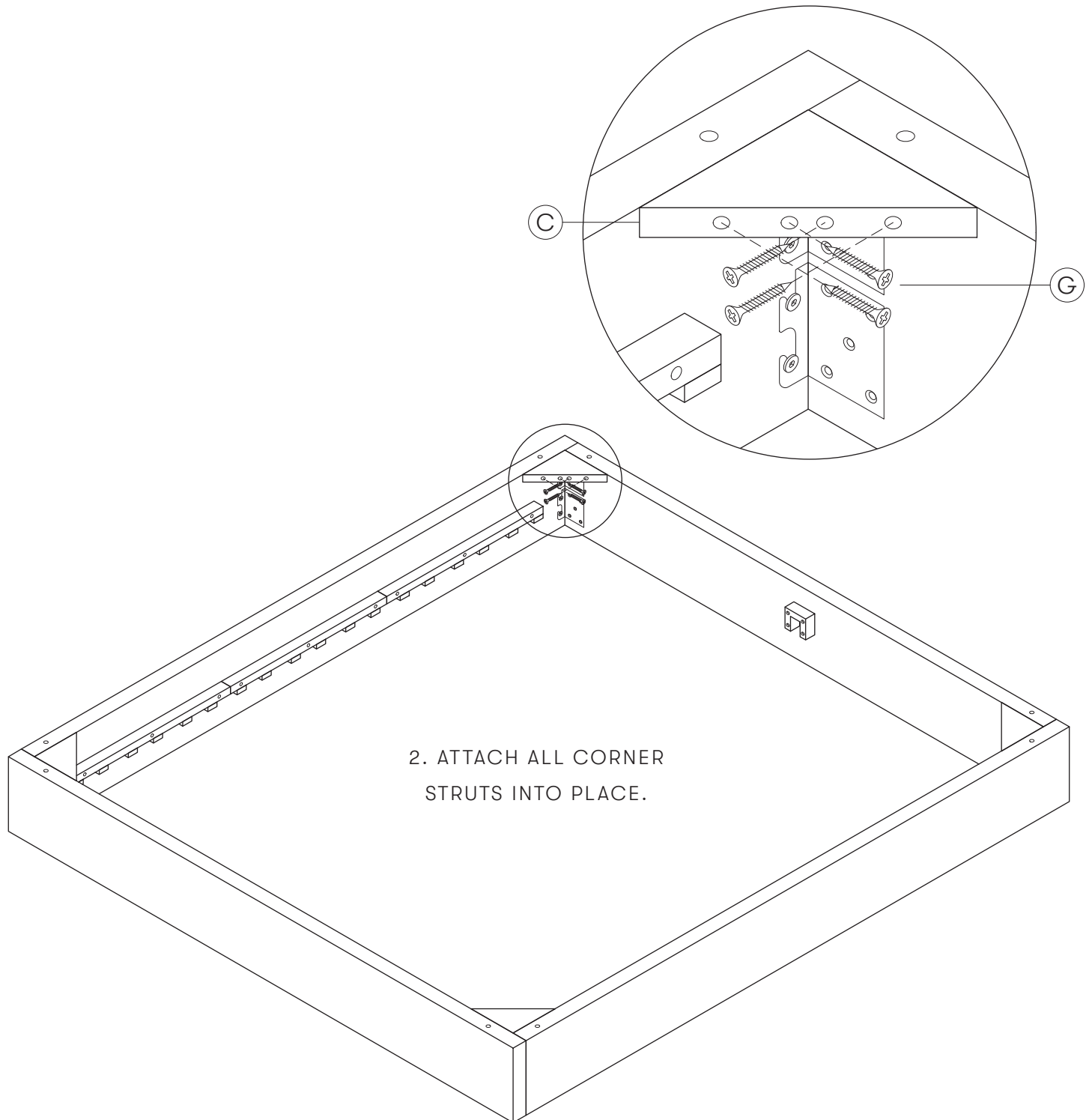
## PEOPLE REQUIRED

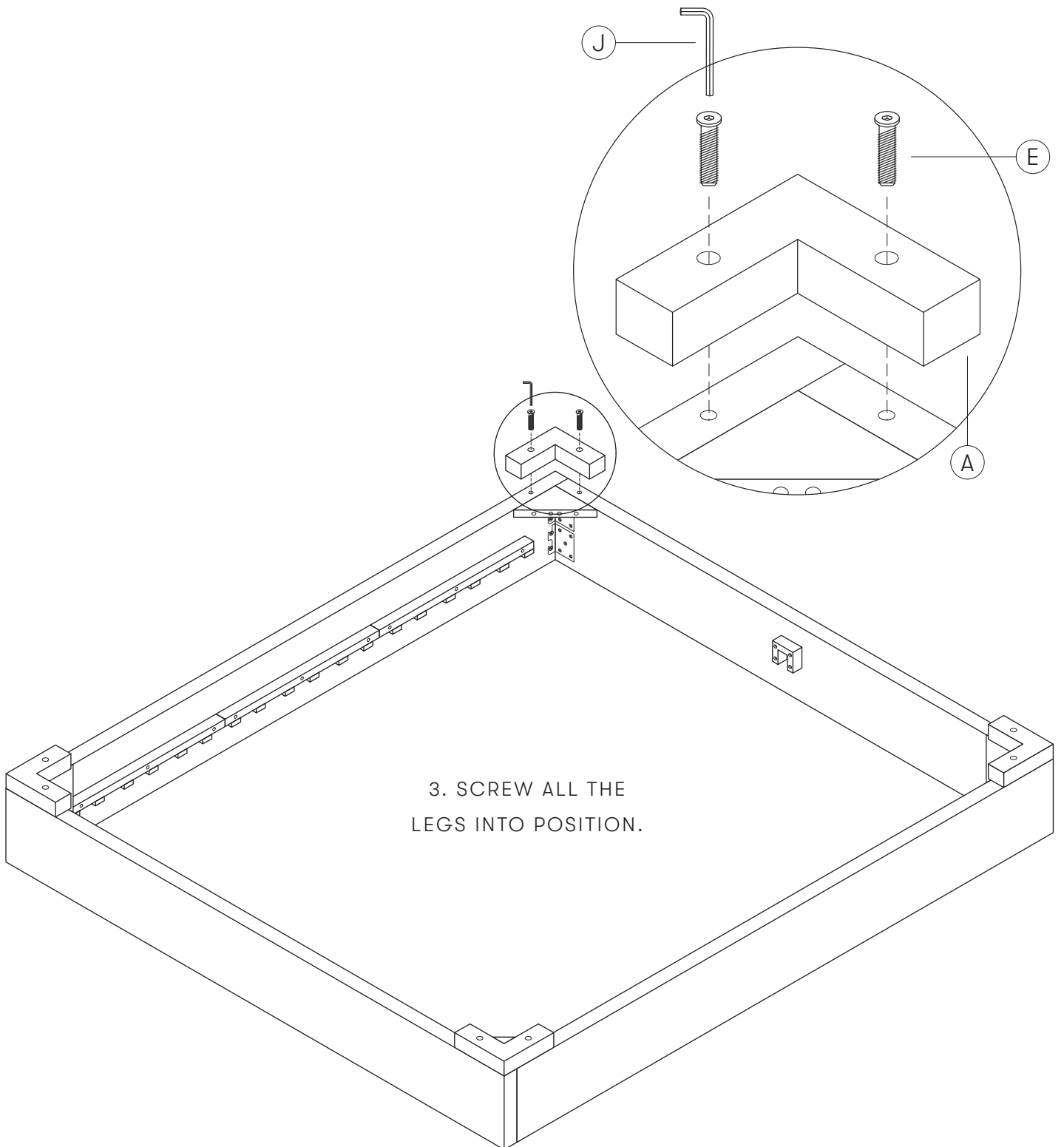






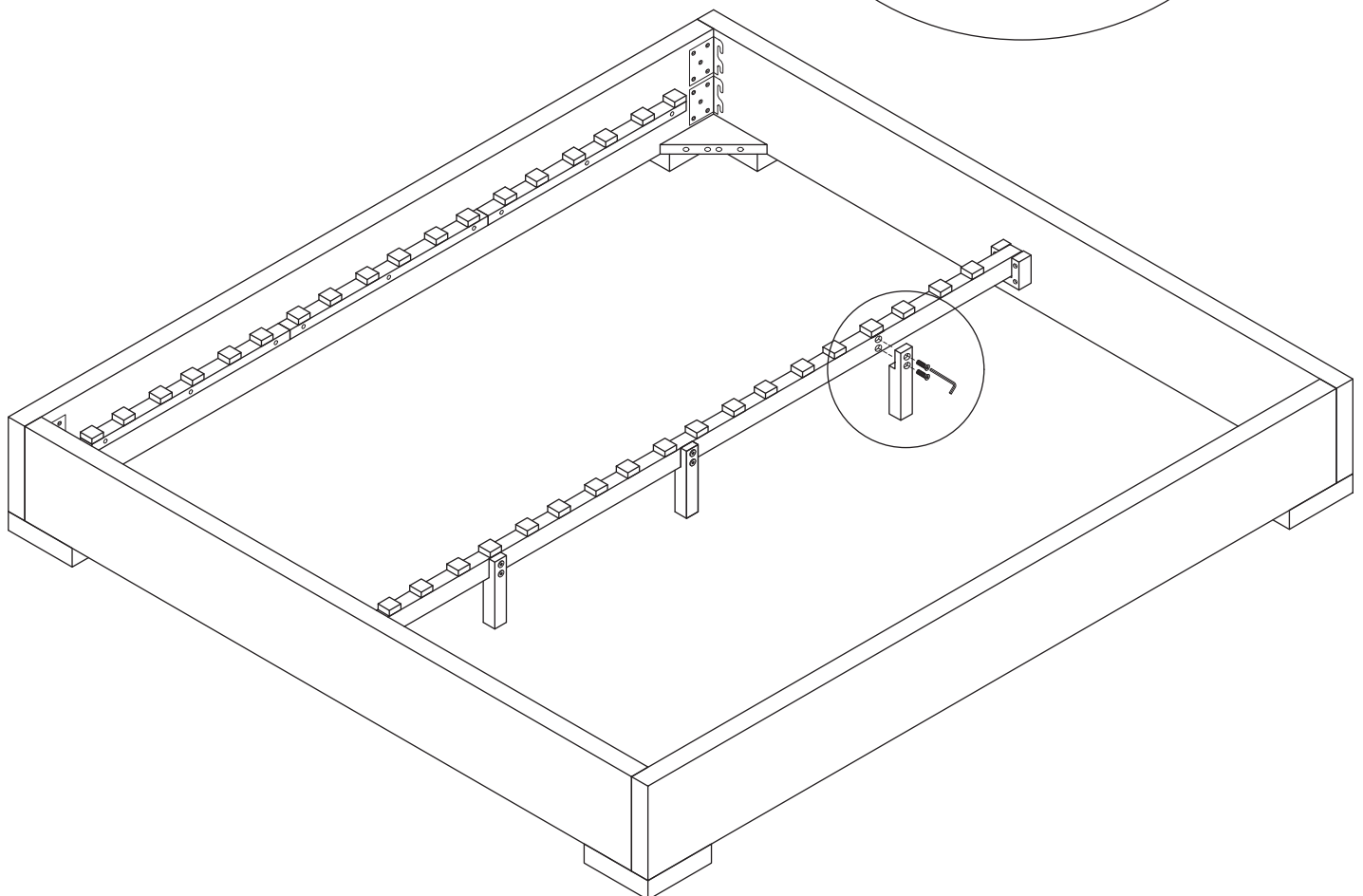
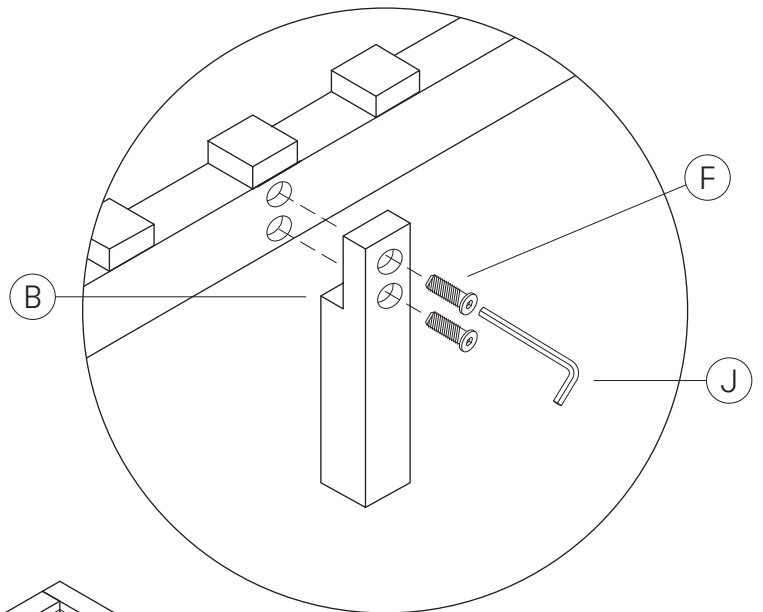
1. START WITH THE BED BASE  
UPSIDEDOWN. FASTEN **F** AND **G** SCREWS  
INTO PLACE USING **F** AND **K**.





3. SCREW ALL THE  
LEGS INTO POSITION.

4. FLIP THE BED BASE BACK  
INTO ITS UPRIGHT POSITION AND  
ATTACH THE LEGS (B).



TA DA!

---

5. PUT ALL OF THE SLATS INTO PLACE.  
PLEASE SEE HEADBOARD INSTRUCTIONS.

