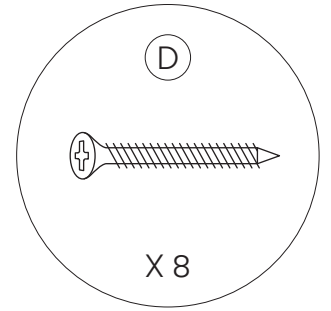
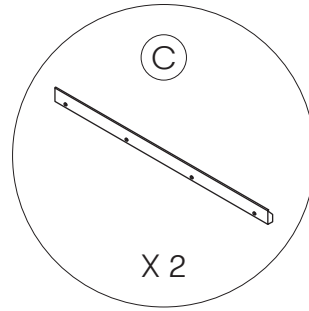
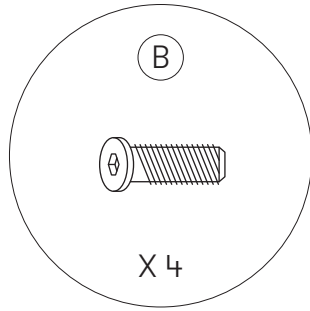
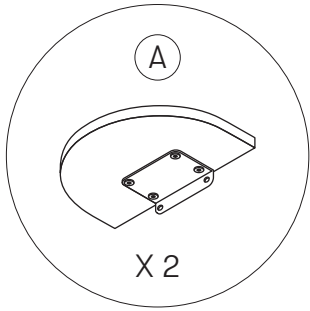
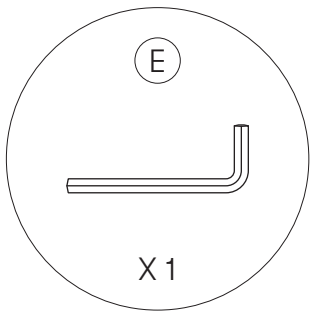


DISCO HEADBOARD ASSEMBLY INSTRUCTIONS

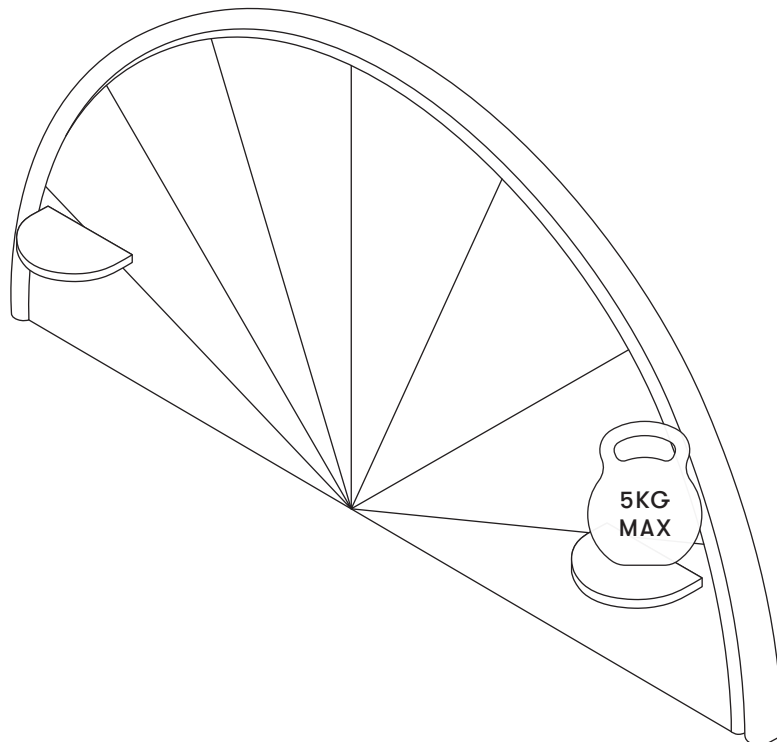
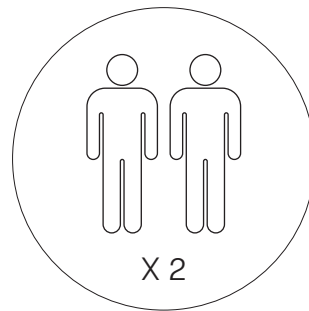
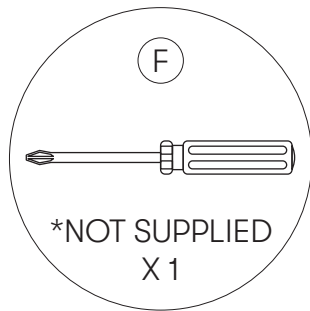
HARDWARE COMPONENTS



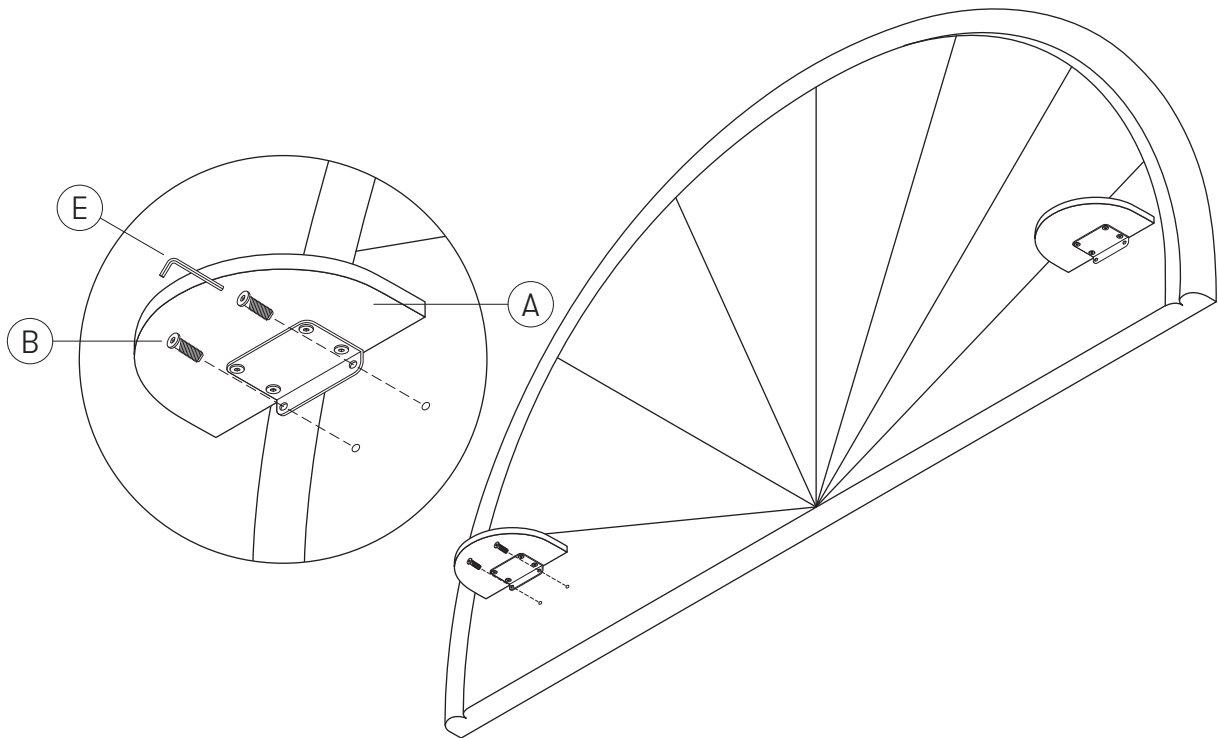
TOOLS REQUIRED



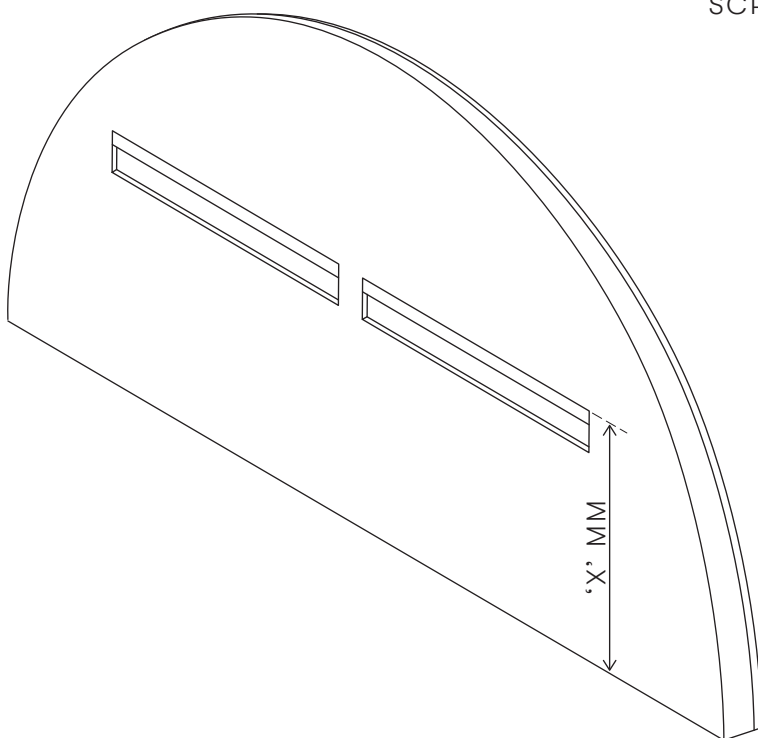
PEOPLE REQUIRED



INSTALLING THE FLOATING SHELVES

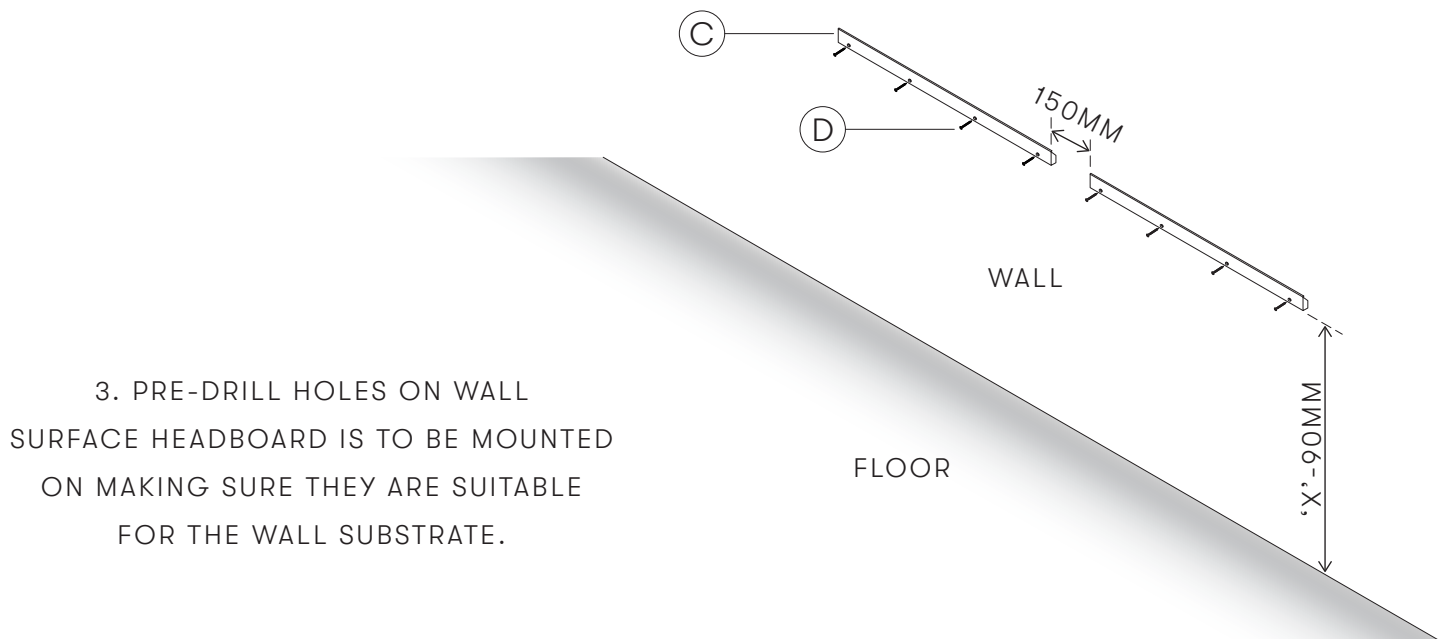


1. USING AN ALLEN KEY, INSTALL HEX SCREWS THROUGH THE SHELF BRACKET AND ONTO THE HEADBOARD.



2. MEASURE 'X' HEIGHT (FLOOR TO TOP OF MOUNTING BRACKET).

ATTACHING THE WALL BRACKETS



4. TAKE 'X' MEASUREMENT AND SUBTRACT 90MM.

THIS IS WHERE THE BOTTOM OF YOUR MOUNTING BRACKET SHOULD BE INSTALLED.

5. HANG YOUR HEADBOARD FROM THE INSTALLED BRACKETS.

ENJOY YOUR SUMPTUOUS HEADBOARD AND REWARD YOURSELF WITH A NAP.